

Vickers®

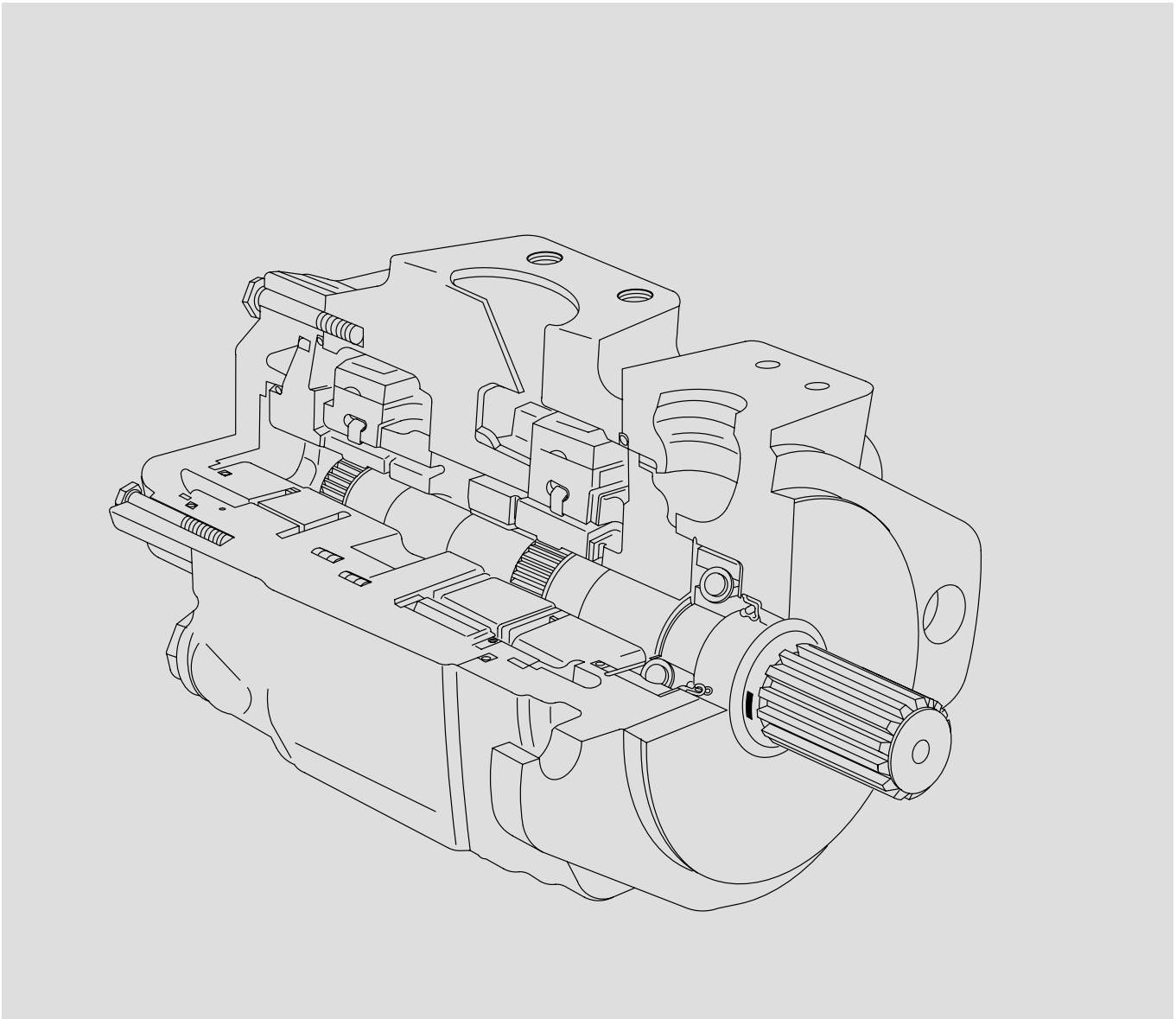
Vane Pumps



Service Parts Information

Double Pumps

4520V Series -10/12 Design



VICKERS

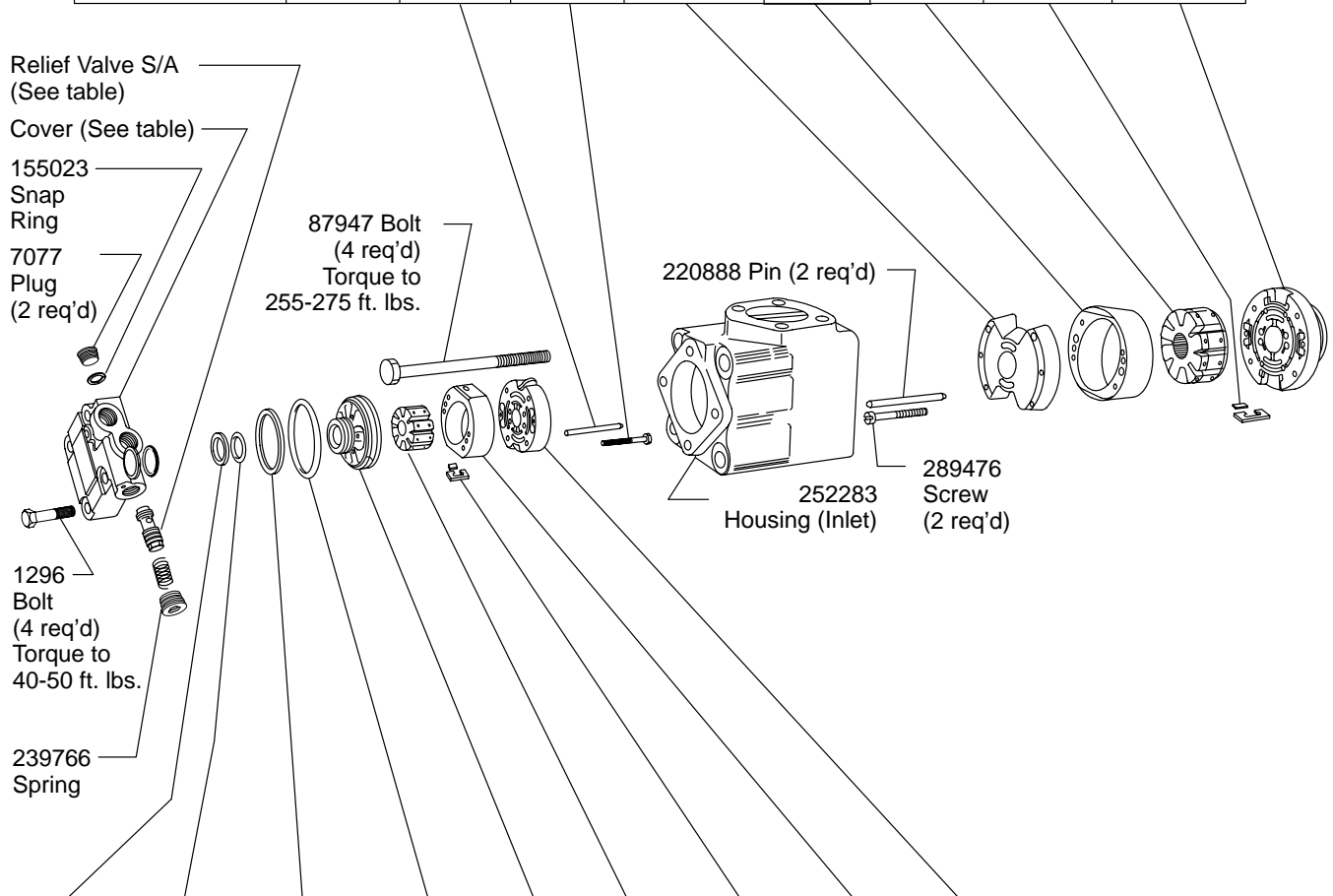
Revised 6/1/77

M-2307-S

Cover	Cover Type	Model Designation
250824	4-Bolt	4520V*A*-*10/12
252504	Straight Thread	4520V*E*-*10/12
257560	Flow Control	4520V*E*-*2*10/12
257561	Flow Control	4520V*E*-*4*10/12
257562	Flow Control	4520V*E*-*6*10/12
257563	Flow Control	4520V*E*-*7*10/12
257564	Flow Control	4520V*E*-*8*10/12
257565	Flow Control	4520V*E*-*10*10/12
257999	Flow Control	4520V*E*-*12*10/12

Relief Valve Sub-Assembly	Relief Valve Setting (psi)	Model Designation
232794	750	4520V***-***C10/12
232795	1000	4520V***-***D10/12
232796	1250	4520V***-***E10/12
232797	1500	4520V***-***F10/12
232798	1750	4520V***-***G10/12
232799	2000	4520V***-***H10/12
233019	2250	4520V***-***J10/12
233020	2500	4520V***-***K10/12

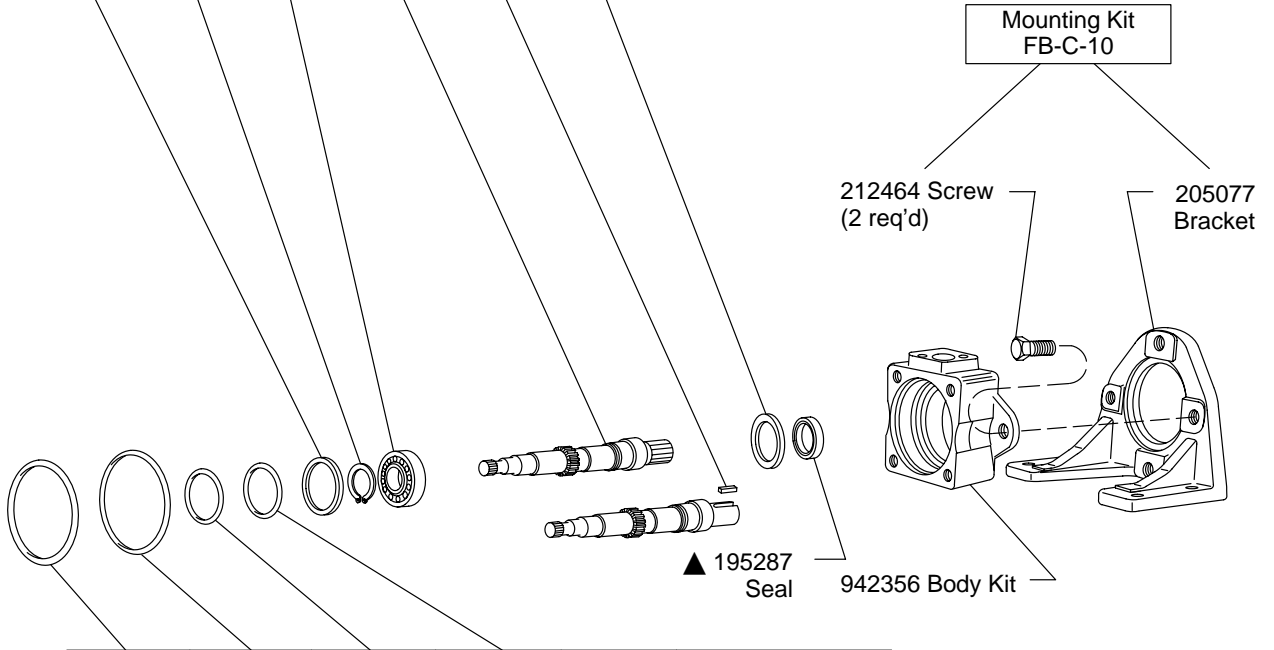
Model Designation	Cartridge Kit	Pin (2 req'd)	Screw (2 req'd)	Wear Plate S/A (Incl. Bushing)	Ring	Rotor	Vane Kit (10 Vanes, 10 Inserts)	Pressure Plate
These parts are serviced in Cartridge Kit								
4520V42**-*10/12	923031	158465	289473	327010	297510	283871	922701	327012
4520V47**-*10/12	923032							
4520V50**-*10/12	923033							
4520V60**-*10/12	923034							



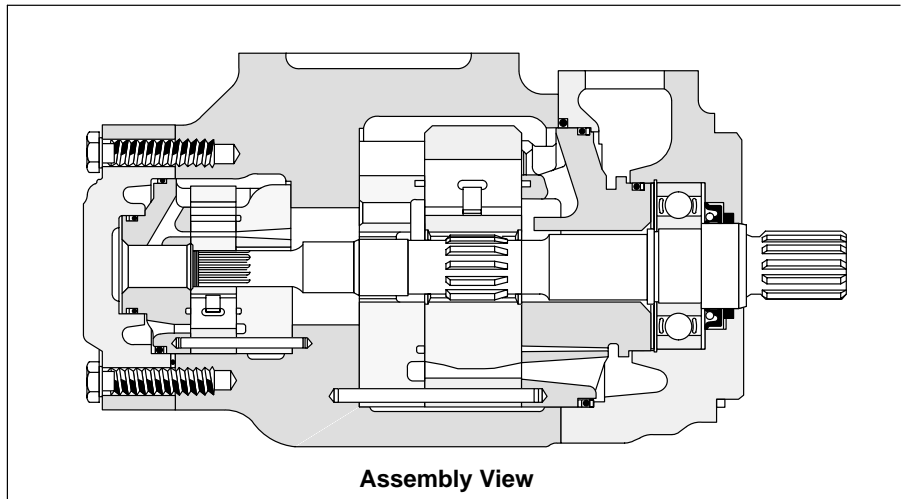
Back-up Ring	O-Ring	Seal Ring	O-Ring	Pressure Plate	Rotor	Vane Kit (10 Vanes, 10 Inserts)	Ring	Wear Plate	Cartridge Kit	Model Designation
These parts are serviced in Cartridge Kit										
▲271787	▲154026	▲419672	▲154026	341763	402690	922741	333624	344368	923445	4520V** 5-*10/12
						333625	923446		4520V** 8-*10/12	
					403539	922743	333626	344367	923447	4520V**11-*10/12
							353901		923448	4520V**12-*10/12
						353902		923449	4520V**14-*10/12	

▲ Included in 922863 Seal Kit

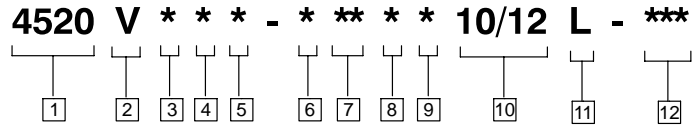
Lock Ring	Snap Ring	Bearing	Shaft	Key	Washer	Model Designation
158630	102949	131812	255533 255536	217596 —	194878	4520V***-1*10/12 4520V***-11*10/12



Seal Ring	O-Ring	O-Ring	Back-up Ring	Cartridge Kit	Model Designation
These parts are serviced in Cartridge Kit					
▲419675	▲154104	▲154087	▲266392	923031	4520V42**-*10/12
				923032	4520V47**-*10/12
				923033	4520V50**-*10/12
				923034	4520V60**-*10/12



Model Code



1 Series Designation

7 Outlet Postions

11 Left Hand Rotation

2 Vane Pump

8 Flow Control Rate

12 Special Features

3 Capacity Shaft End

9 Relief Valve Setting

60 - 60 gpm

10 Design

4 Port Connections

5 Capacity Cover End

14 - 14 gpm

6 Shaft Type