

Service Data

Vickers®

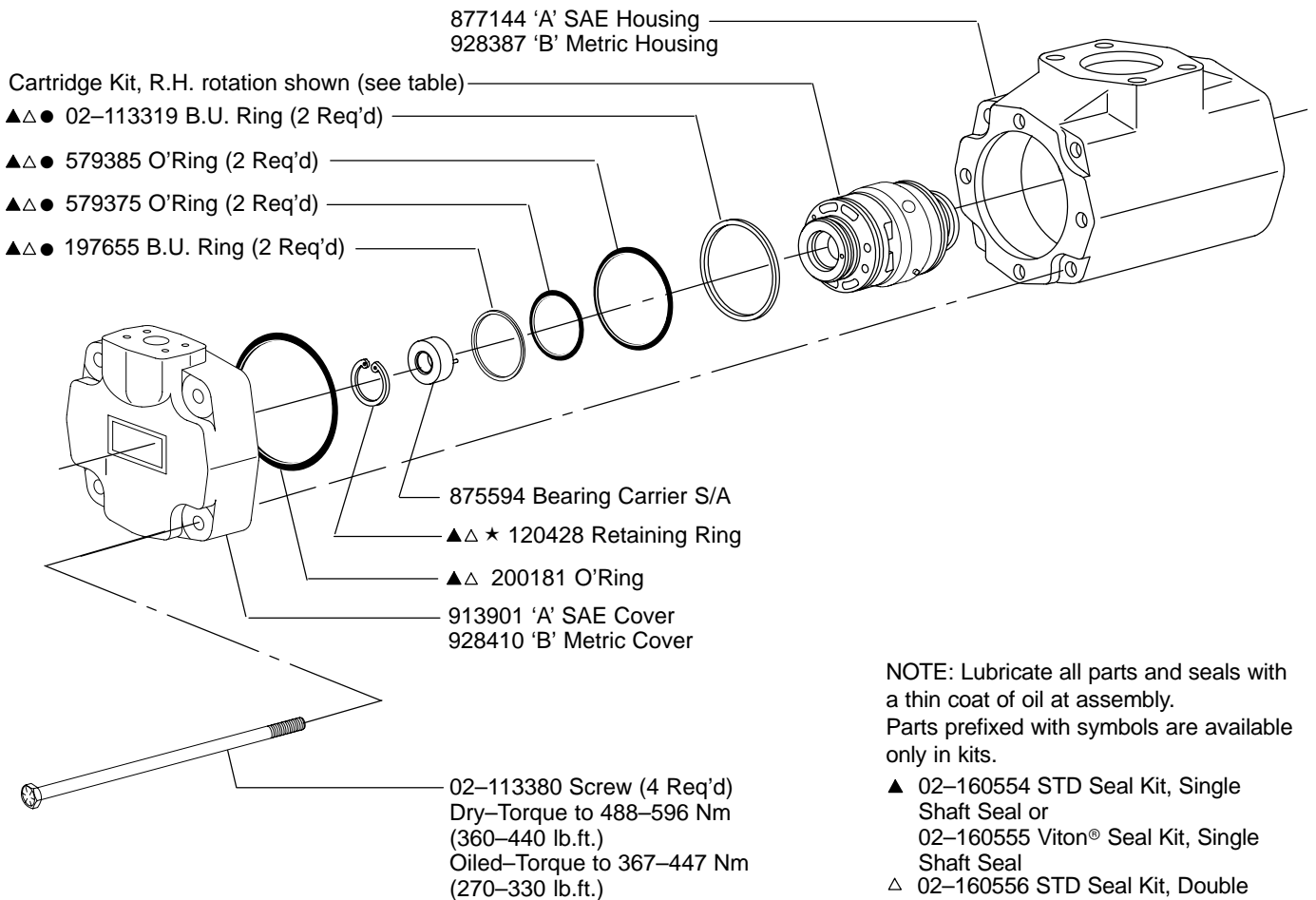
Vane Pumps



High Pressure, High Performance Double Vane Pump

4545VPF Series -21 Design

To reverse Cartridge rotation remove Retaining Ring and Bearing Carrier S/A. Install Bearing Carrier S/A and Retaining Ring in opposite end of Cartridge and reinstall Cartridge facing in opposite direction. For R.H. rotation the end of the Cartridge with screw heads showing will be installed toward the cover end. For L.H. rotation the end of the Cartridge with screw heads showing will be installed toward the shaft end.



NOTE: Lubricate all parts and seals with a thin coat of oil at assembly. Parts prefixed with symbols are available only in kits.

- ▲ 02-160554 STD Seal Kit, Single Shaft Seal or 02-160555 Viton® Seal Kit, Single Shaft Seal
- △ 02-160556 STD Seal Kit, Double Shaft Seal or 02-160557 Viton® Seal Kit, Double Shaft Seal
- ★ Included in Flange Kits (See table).
- Included in Cartridge Kit (see table).

Viton® is a registered trademark of the E.I. DuPont Co.

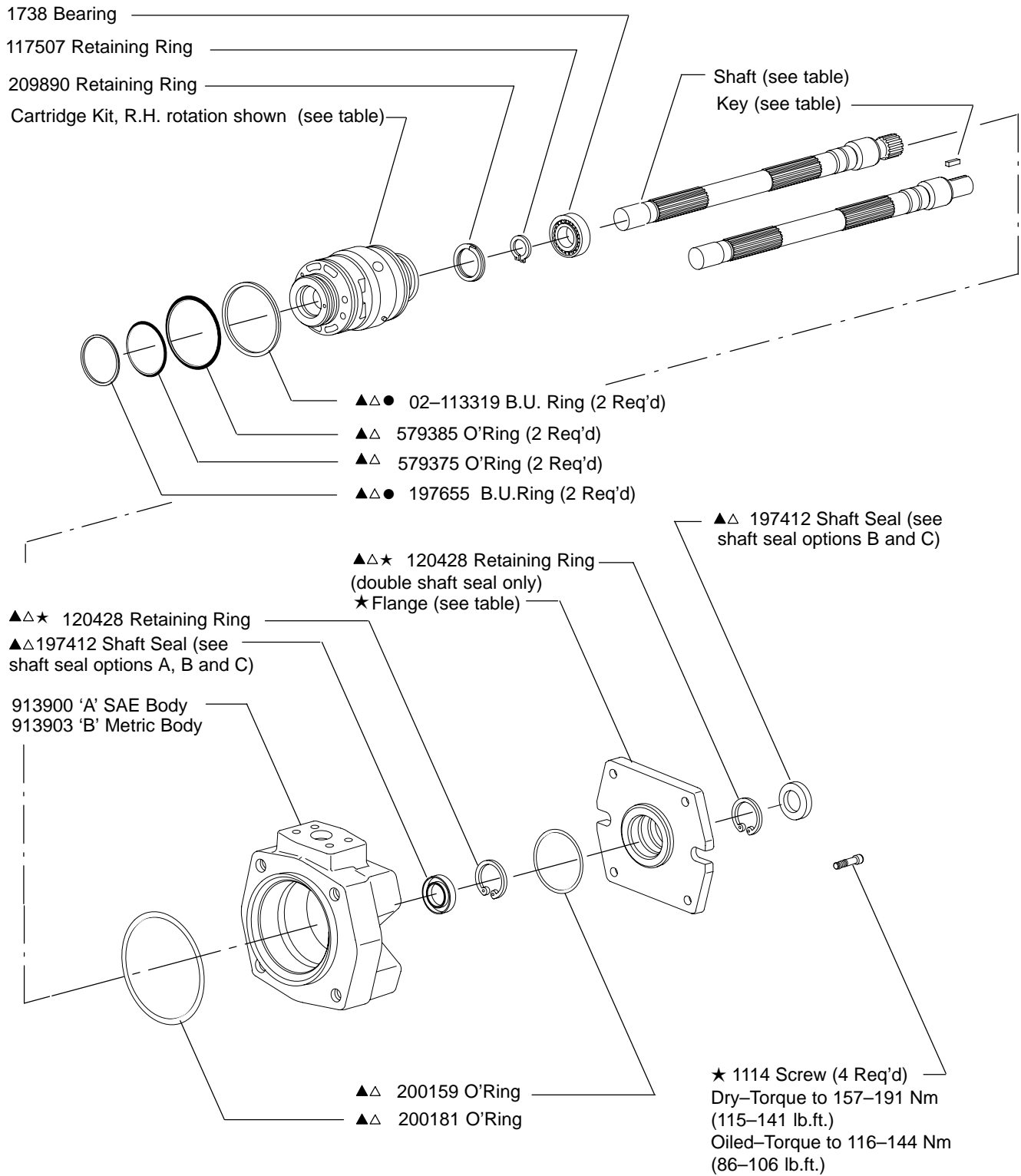
Shaft Seal Options

A – Primary seal only: spring loaded sealing member facing inward.

B – Primary and secondary seals: primary seal with spring loaded sealing member facing inward and secondary seal with spring loaded sealing member facing outward.

C – Primary and secondary seals: both with spring loaded sealing member facing inward.

Model Code (Cover and Shaft End)	● Cartridge Kit Standard	● Cartridge Kit Viton®
4545VPF-140	02-322069	02-322070
4545VPF-160	02-322071	02-322072
4545VPF-180	02-322073	02-322074
4545VPF-195	02-322075	02-322076

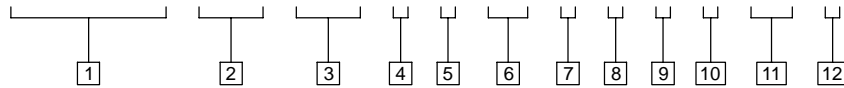


Model Code	Shaft	Key
4545VPF-***-***-*_-01	928402	928542
4545VPF-***-***-*_-02	928401	—
4545VPF-***-***-*_-03	928400	928547
4545VPF-***-***-*_-05	928399	928543
4545VPF-***-***-*_-06	877160	—

Flange Type	★ Flange Kit	
	Single Shaft Seal	Double Shaft Seal
SAE J744-127-2 (SAE C)	02-142497	02-142501
ISO 3019/2-125A2HW	02-142498	02-142502
SAE J744 152-2 (SAE D)	02-142499	02-142503
ISO 3019/2-160A2HW	02-142500	02-142504

Model Code

4545VPF - * - *** - * - * - * - * - * - * - * - * - * - * - 21 - ***



1 Series designation (frame size)

4545VPF – 280 to 390 cm³/r
(17.08 to 23.8 in³/r)

2 Displacement – front section

140 – 140 cm³/r (8.54 in³/r)
160 – 160 cm³/r (9.78 in³/r)
180 – 180 cm³/r (10.98 in³/r)
195 – 195 cm³/r (11.90 in³/r)

3 Displacement – rear section

140 – 140 cm³/r (8.54 in³/r)
160 – 160 cm³/r (9.78 in³/r)
180 – 180 cm³/r (10.98 in³/r)
195 – 195 cm³/r (11.90 in³/r)

4 Port connection

A – SAE 4-bolt flange
B – Metric 4-bolt flange

5 Flange mounting style

A – SAE J744 127–2 (SAE C)
B – ISO 3019/2 125A2HW
C – SAE J744 152–2 (SAE D)
D – ISO 3019/2 160A2HW

6 Shaft type

01 – SAE J744 38–1
(1.50 in keyed shaft)
02 – SAE J744 38–4
(C–C splined shaft)
03 – ISO 3019/2 E40N
(40mm keyed shaft)
05 – SAE J744 44–1
(1.75 in keyed shaft)
06 – SAE J744 44–4
(D splined shaft)

7 Shaft seal

A – Single, primary
B – Double, secondary (spring side out)
C – Double, secondary (spring side in)

8 Seal type

N – Standard, Buna N
V – Viton®
W – Buna N with Viton® shaft seal(s)
Viton® is a registered trademark of the E.I. DuPont Co.

9 Outlet port no. 1 position (viewed from cover end)

A – Opposite inlet port
B – 90° counterclockwise from inlet port
C – Inline with inlet port
D – 90° clockwise from inlet port

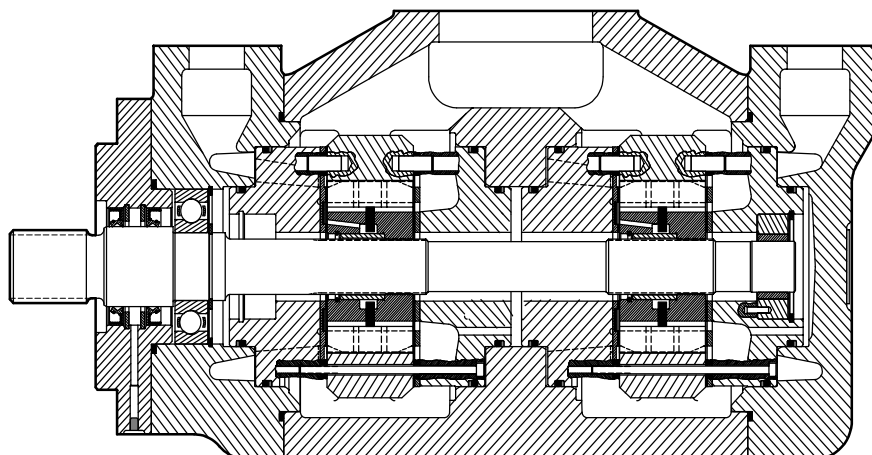
10 Outlet port no. 2 position (viewed from cover end)

A – Opposite inlet port
B – 90° counterclockwise from inlet port
C – Inline with inlet port
D – 90° clockwise from inlet port

11 Design

12 Rotation (viewed from shaft end)

R – Right hand (clockwise)
L – Left hand (counterclockwise)



Typical sectional view

Eaton Hydraulics

15151 Highway 5
Eden Prairie, MN 55344
Telephone: 612 937-7254
Fax: 612 937-7130
www.eatonhydraulics.com

46 New Lane, Havant
Hampshire PO9 2NB
England
Telephone: (44) 170-548-6451
Fax: (44) 170-548-7110

