

Service Data

Vickers®

Vane Pumps



Double Pump

V2010 and V2010F Series-10 Design

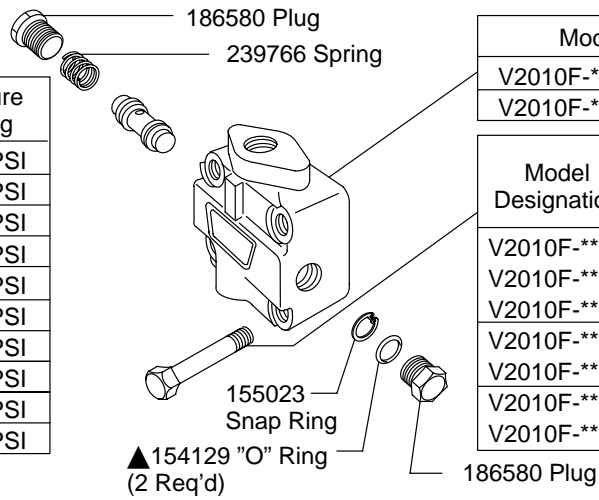


Revised 10/01/89

M-2253-S

V2010F-***-20
Flow Control Cover**

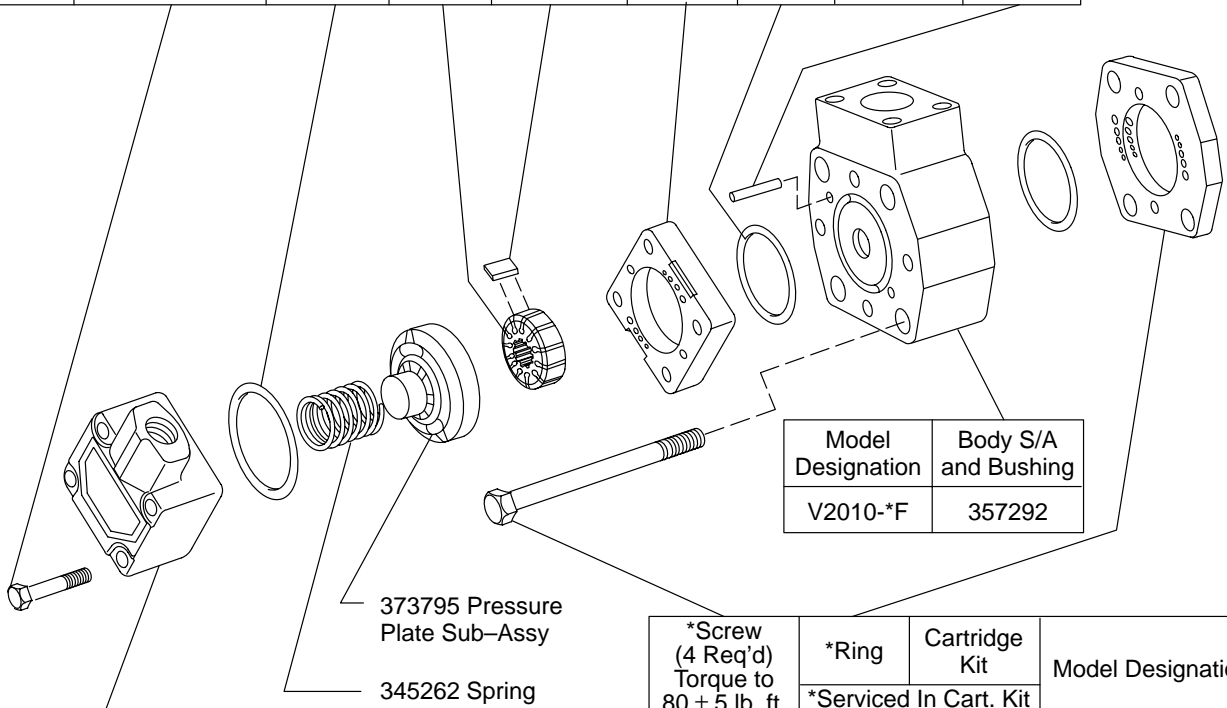
Model Designation	Control Valve Sub-Assembly	Pressure Setting
V2010F-*****-A	229613	250 PSI
V2010F-*****-B	233018	500 PSI
V2010F-*****-C	232794	750 PSI
V2010F-*****-D	232795	1000 PSI
V2010F-*****-E	232796	1250 PSI
V2010F-*****-F	232797	1500 PSI
V2010F-*****-G	232798	1750 PSI
V2010F-*****-H	232799	2000 PSI
V2010F-*****-J	233019	2250 PSI
V2010F-*****-K	233020	2500 PSI



Model	Cover
V2010F-*****-T-2	372851
V2010F-*****-F-2	379543

Model Designation	Screw (4 Req'd) Torque 40 ± 5 lb. ft.
V2010F-****1	432509
V2010F-****2	
V2010F-****3	
V2010F-****4	295344
V2010F-****5	
V2010F-****6	432511
V2010F-****7	

Model Designation	Screw (4 Req'd) Torque to 40 ± 5 lb. ft.	▲ "O" Ring	Rotor	Vane Kit (12 Vanes)	Ring	▲ "O" Ring	Cartridge Kit	Pin (2 Req'd)
V2010-****1	1277	199822	317681	923499	317674	199823	923471	231042
V2010-****2					317675		923470	
V2010-****3					317676		923496	
V2010-****4	108561		351247	923500	317677		923469	2456
V2010-****5					317678		923468	
V2010-****6	1278		357286	923501	355641		923497	351963
V2010-****7					331813		923498	



Model Designation	Body S/A and Bushing
V2010-*F	357292

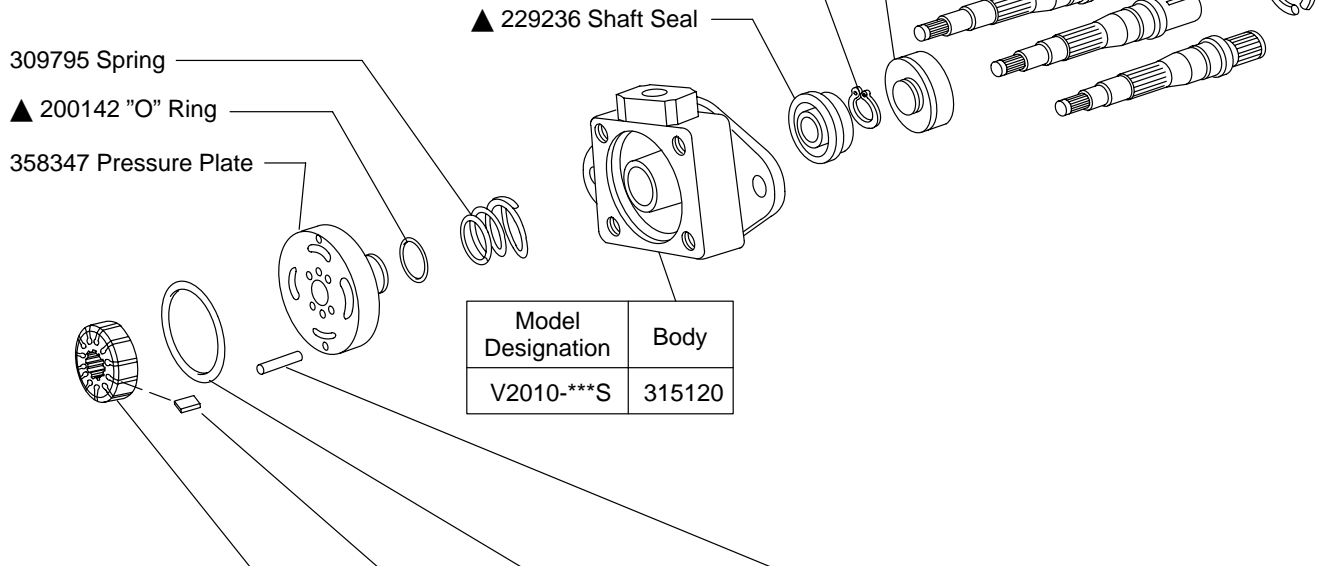
Cover	Model
372863	V2010-***P**-10
372864	V2010-***R**-10
372865	V2010-***S**-10

*Screw (4 Req'd) Torque to 80 ± 5 lb. ft.	*Ring	Cartridge Kit	Model Designation
	*Serviced In Cart. Kit		
96168	328152	923494	V2010-***7**
	331791	923495	V2010-***8**
	331789	923462	V2010-***9**
295384	328156	923475	V2010-***11**
	331806	923476	V2010-***12**
	331807	923477	V2010-***13**

Shaft End - Rotating Group

▲ Included in 923577 seal kit
F3 Equivalent seal kit 919770

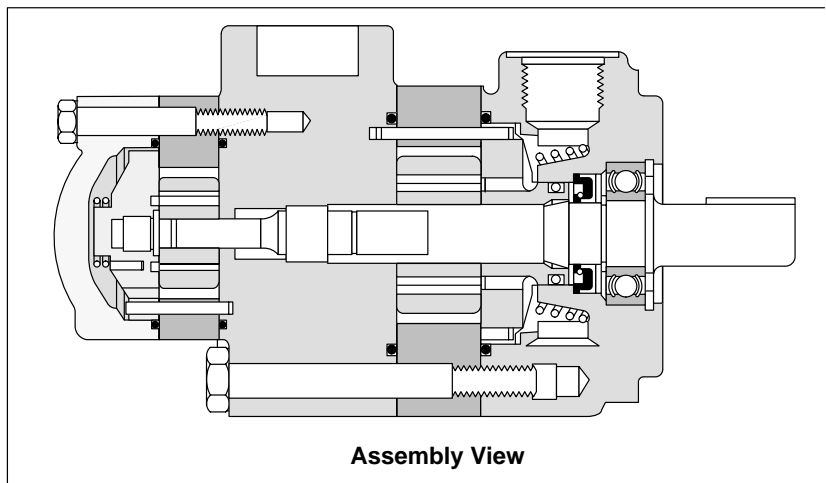
Model Designation	Type	Ret. Ring	Bearing	Shaft	Key	Nut	Ret. Ring
V2010-*****-1**10	Straight	160686	82938	351249	9955		140356
V2010-*****-3**10	Threaded			321214	1617	18755	
V2010-*****-11**10	Splined			321215			



Rotor	Vane Kit (12 Vanes)	"O" Ring (2 Req'd)	Cartridge Kit	Pin (2 Req'd)	Model Designation
Serviced In Cartridge Kit					
358335	923493	▲ 154090	923494	16662	V2010-**7**
			923495		V2010-**8**
923462	V2010-**9**				
358336	923478		923475	179341	V2010-**11**
358337	923479		923476	7688	V2010-**12**
			923477		V2010-**13**
Shaft End - Rotating Group					

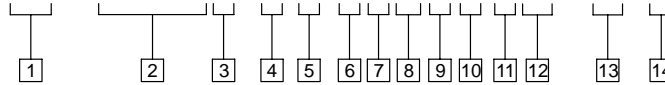


WARNING
Use this drawing for parts information only.



Model Code

(F3) - V2010 * - * (*) F * S * S-1 ** - 10 (L)



1 Seal Material
(Omit if not required.)

F3 - Viton® seals
Viton is registered trademark of E.I. DuPont

2 Model Series

V2010 - Vane pump

3 Cover Type

F - Flow control cover
P - Priority valve cover
Omit - Standard cover

4 Mounting

1 - Flange
2 - Foot bracket

5 Foot Bracket

Mounting position with respect to inlet port when viewed from shaft end. No code required for inlet port at 12 o'clock.

3 - Inlet port at 3 o'clock
6 - Inlet port at 6 o'clock
9 - Inlet port at 9 o'clock
Omitted for Flange Mounting

6 Inlet Port

F - 4 bolt flange, 1.500 dia.

7 Ring Capacity (Shaft End)
(USgpm at 1200 RPM AND 100 PSI)

7 - 7 GPM **11** - 11 GPM
8 - 8 GPM **12** - 12 GPM
9 - 9 GPM **13** - 13 GPM

8 #1 Outlet Port
(Shaft end)

S - 1.062 - 12 UN-2B thread

9 Ring Capacity (Cover End)
(USgpm at 1200 RPM AND 100 PSI)

1 - 1 GPM **4** - 4 GPM **7** - 7 GPM
2 - 2 GPM **5** - 5 GPM
3 - 3 GPM **6** - 6 GPM

10 #2 Outlet Port Positions
(Cover end)

Code	Std. Cover	Flow Control Cover	
		Pressure	Tank
P	1/2 in. NPT Thd.	3/4-16 Std. Thd.	1/2-in. NPT Thd.
R	1.062-12 Std. Thd.	_____	_____
S	3/4-16 Std. Thd.	_____	_____
T	_____	3/4-16 Std. Thd.	3/4-16 Std. Thd.

11 Shaft Type

1 - Straight Thread
3 - Threaded
11 - Splined

12 Outlet Port Positions

(Viewed from Cover End of Pump)

With No. 1 Outlet Opposite Inlet:

AA - No. 2 Outlet - 135° CCW from Inlet
AB - No. 2 Outlet - 45° CCW from Inlet
AC - No. 2 Outlet - 45° CW from Inlet
AD - No. 2 Outlet - 135° CW from Inlet
With No. 1 Outlet 90° CCW from Inlet:

BA - No. 2 Outlet - 135° CCW from Inlet
BB - No. 2 Outlet - 45° CCW from Inlet
BC - No. 2 Outlet - 45° CW from Inlet
BD - No. 2 Outlet - 135° CW from Inlet
With No. 1 Outlet Inline with Inlet:

CA - No. 2 Outlet - 135° CCW from Inlet
CB - No. 2 Outlet - 45° CCW from Inlet
CC - No. 2 Outlet - 45° CW from Inlet
CD - No. 2 Outlet - 135° CW from Inlet
With No. 1 Outlet 90° CW from Inlet:

DA - No. 2 Outlet - 135° CCW from Inlet
DB - No. 2 Outlet - 45° CCW from Inlet
DC - No. 2 Outlet - 45° CW from Inlet
DD - No. 2 Outlet - 135° CW from Inlet

13 Design

14 Rotation

(Viewed from Shaft End)

L - Left hand (CCW rotation)
Omit - Right hand rotation

For satisfactory service life of these components, use full flow filtration to provide fluid which meets ISO cleanliness code 20/18/15 or cleaner. Selections from pressure, return, and in-line filter series are recommended.